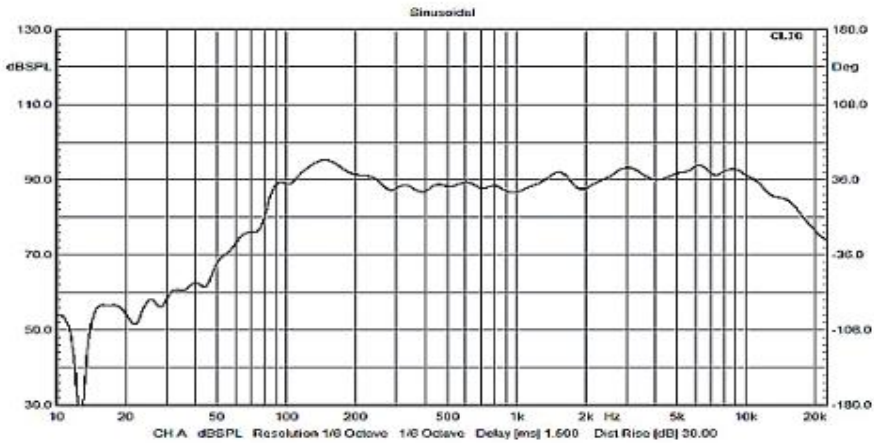
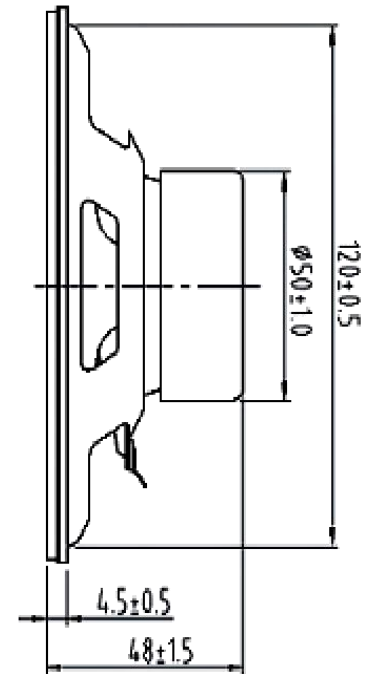
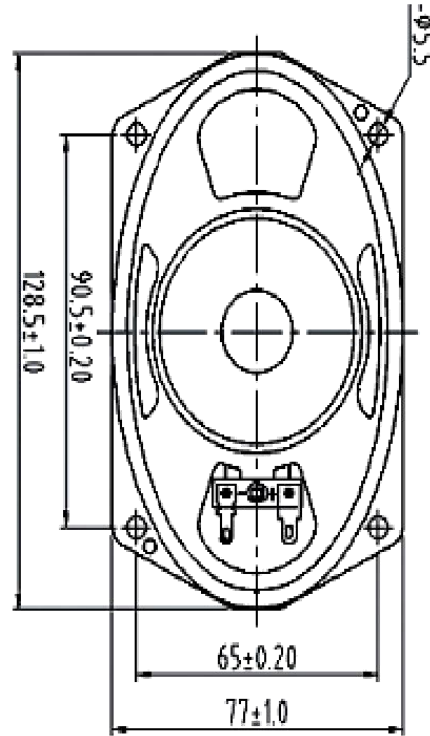



SPECIFICATION		
1	Model No.	YD813-01-8F40C
2	Dimension:	128*77mm
3	Cone Material:	Paper
4	Edge:	Foam/Cloth
5	Nominal Power:	10W
6	Maximum Power:	15W
7	Impedance:	8±15%Ω
8	Fo:	200±20%Hz
9	Response:	Fo~10KHZ
10	S.P.L:	88±3dB(AT 0.1M/0.1W, AT 0.6,0.8,1.0,1.2KHZ)
11	Magnet Size:	Φ40×19×8(Ferrite)Φ 32×18×6(Ferrite)
12	Net weight:	180g±8%

THIS DOCUMENT CONTAINS DATE  
 PROPRIETARY TO PROJECTS CHANGZHOU ESUNTECH  
 CO LTD. ANY USE OR REPRODUCTION,IN ANY FORM,  
 WITHOUT PRIOR WRITTEN PERMISSION OF  
 PROJECTS CHANGZHOU ESUNTECH CO LTD  
 IS PROHIBITED.  
 ©2003,Project Changzhou Esuntech Co Ltd

REVISION HISTORY			
LTR	DESCRIPTION	DATE	APPROVED
-	RELEASED FROM ENGINEERING	9/23/2003	Y M
A			
B			
C			



NOTES:  
 1.ALL DIMENSIONS ARE IN MILLIMETERS  
 2.SPECIFICATIONS SUBJECT TO CHANGE  
 WITHOUT NOTICE

UNLESS OTHERWISE SPECIFIED. DIMENSIONS ARE IN MILLIMETERS TOLERANCES ARE +/-0.5 AND ANGLES ARE +/-3°	SIZE	Designed by	Date	Checked by	Date	Approved by	Date	Drawed date
	A4	 Changzhou Esuntech Co.,Ltd <a href="http://www.esuntech.com.cn">http://www.esuntech.com.cn</a>		YD813-01-8F40C		Loudspeaker	Edition	Sheet
YD45-01-8F32P-R								