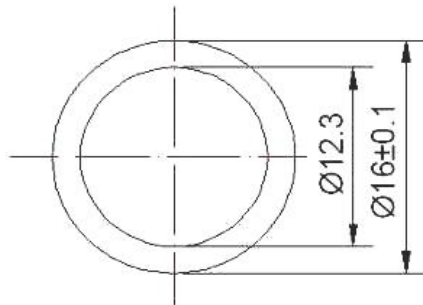
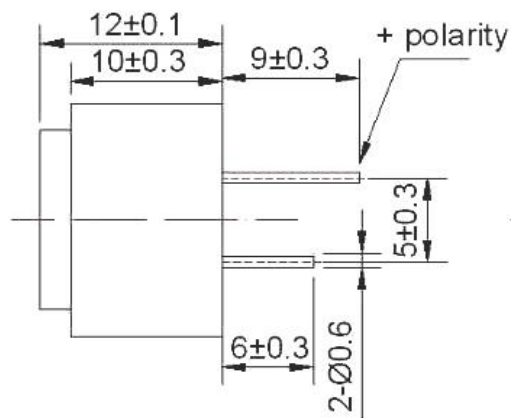


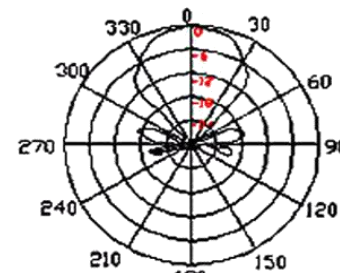
SPECIFICATION		
1	Model No.	EUS16F-40FS-BA
2	Construction	Water proof
3	Using method	Dual use
4	Nominal Frequency(HZ)	40KHz
5	Sensitivity (dB)	≥100dB/30cm/10Vrms
6	S P L(dB)	≥ -75dB/v/μbar
7	Directivity	2000pF±25%
8	Capacitance(pF)	75deg
9	Detectable range(M)	0.2-4m
10	Operating Temperature(°C)	-30~+85 °C
11	Housing material	Aluminum/ silver
12	Weight(g)	3

THIS DOCUMENT CONTAINS DATE
 PROPRIETARY TO PROJECTS CHANGZHOU ESUNTECH
 CO LTD. ANY USE OR REPRODUCTION, IN ANY FORM,
 WITHOUT PRIOR WRITTEN PERMISSION OF
 PROJECTS CHANGZHOU ESUNTECH CO LTD
 IS PROHIBITED.
 ©2003, Project Changzhou Esuntech Co Ltd

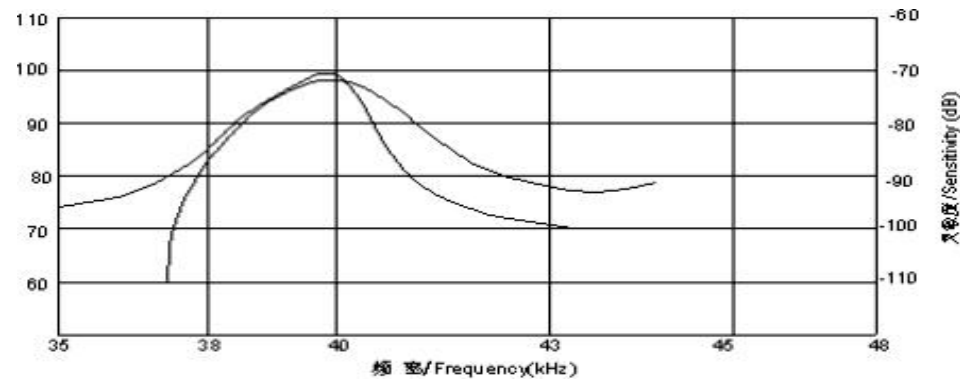
REVISION HISTORY			
LTR	DESCRIPTION	DATE	APPROVED
-	RELEASED FROM ENGINEERING	9/23/2003	Y M
A			
B			
C			



Beam Angle Tested at 40.0KHz
 frequency




Sensitivity/Sound Pressure Level
 Tested under 10Vrms@30cm



频率特性图/Frequency Characteristics

NOTES:
 1. ALL DIMENSIONS ARE IN MILLIMETERS
 2. SPECIFICATIONS SUBJECT TO CHANGE
 WITHOUT NOTICE

SIZE	Designed by	Date	Checked by	Date	Approved by	Date	Drawed date
A4	 EST Changzhou Esuntech Co.,Ltd http://www.esuntech.com.cn			EUS16F-40FS-BA			Sheet
				Ultrasonic Sensor	Edition		