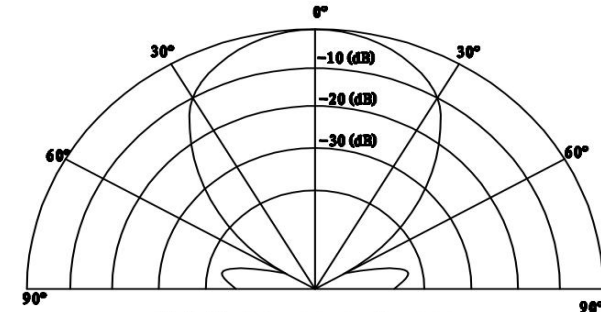


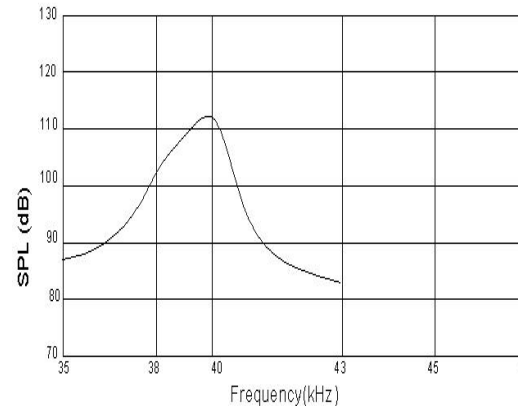
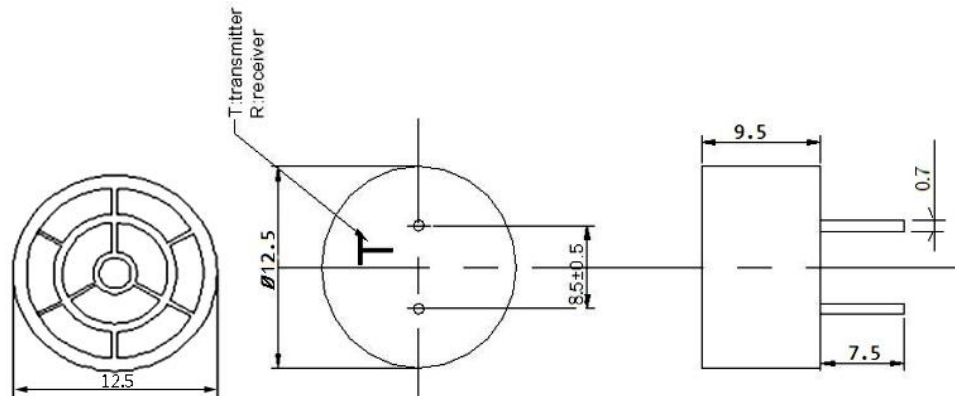
SPECIFICATION		
1	Model No.	EUS12T-40TR-P
2	Construction	Open
3	Using method	Transmitter or receiver
4	Nominal Frequency(HZ)	40K
5	Sensitivity (dB)	≥112(10V/30cm/sine
6	S P L(dB)	≥-70
7	Directivity	75deg
8	Capacitance(pF)	2400±25%@1KHz
9	Detectable range(M)	0.3...12
10	Operating Temperature(°C)	-20...+70
11	Housing material	ABS (black)
12	Weight(g)	1.2

THIS DOCUMENT CONTAINS DATE
 PROPRIETARY TO PROJECTS CHANGZHOU ESUNTECH
 CO LTD. ANY USE OR REPRODUCTION, IN ANY FORM,
 WITHOUT PRIOR WRITTEN PERMISSION OF
 PROJECTS CHANGZHOU ESUNTECH CO LTD
 IS PROHIBITED.
 ©2003, Project Changzhou Esuntech Co Ltd

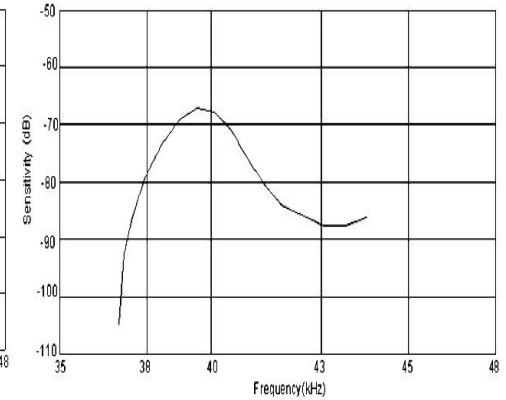
REVISION HISTORY			
LTR	DESCRIPTION	DATE	APPROVED
-	RELEASED FROM ENGINEERING	9/23/2003	Y M
A			
B			
C			



指向性/Directivity in Sensitivity




SPL-Frequency Characteristics



SPL-Frequency Characteristics

NOTES:

1. ALL DIMENSIONS ARE IN MILLIMETERS
2. SPECIFICATIONS SUBJECT TO CHANGE WITHOUT NOTICE

SIZE	Designed by	Date	Checked by	Date	Approved by	Date	Drawed date
	A4	 Changzhou Esuntech Co., Ltd http://www.esuntech.com.cn			EUS12T-40TR-P		
	Ultrasonic Sensor				Edition	Sheet	