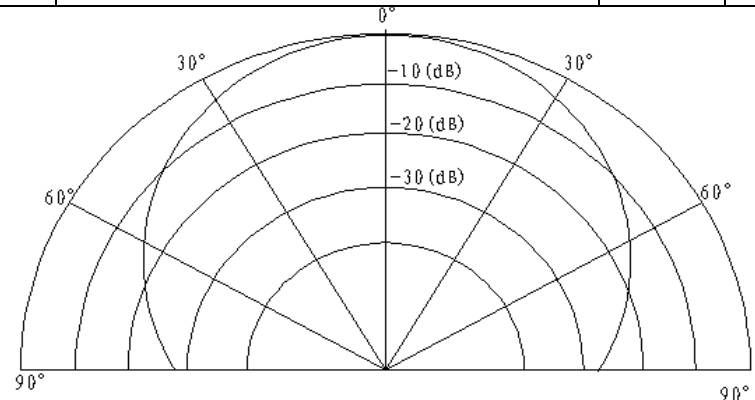


SPECIFICATION		
1	Model No.	EUS10T-4FS-WA
2	Construction	Open
3	Using method	Transmitter/Receiver
4	Nominal Frequency(HZ)	40K
5	Sensitivity	≥-75dBV/μMbar
6	S P L(dB)	≥ 105 (10V/30cm/sine wave)
7	Directivity	80deg
8	Capacitance(pF)	2200±25%@1KHz
9	Detectable range(M)	0.2....6
10	Operating Temperature(°C)	-20....+80
11	Housing material	Aluminum
12	Weight(g)	0.6

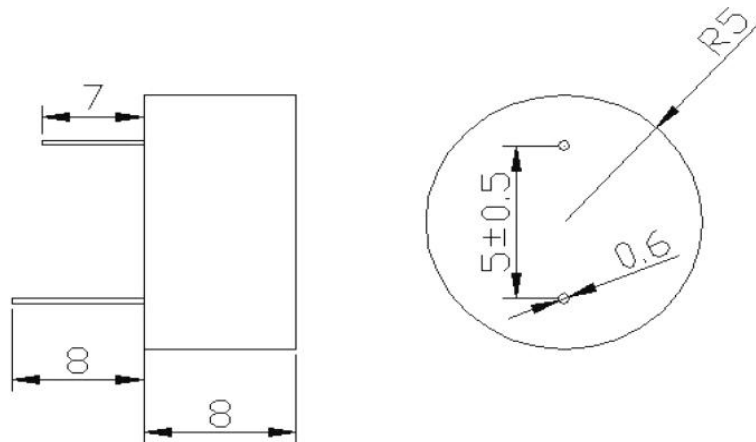
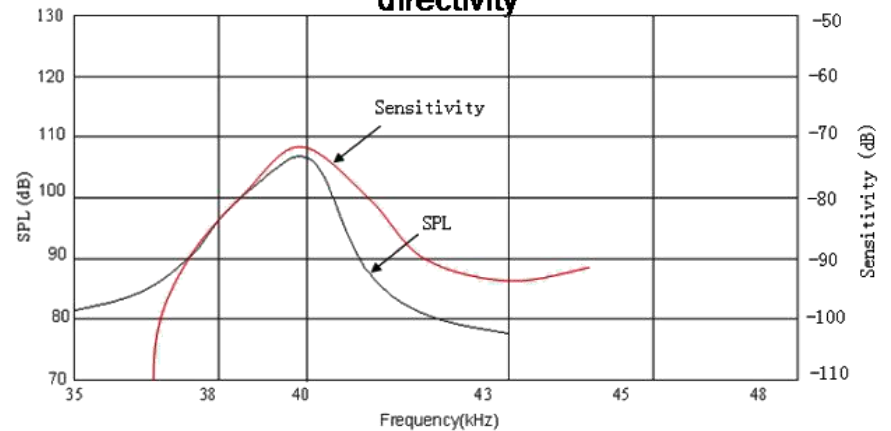
THIS DOCUMENT CONTAINS DATE
 PROPRIETARY TO PROJECTS CHANGZHOU ESUNTECH
 CO LTD. ANY USE OR REPRODUCTION,IN ANY FORM,
 WITHOUT PRIOR WRITTEN PERMISSION OF
 PROJECTS CHANGZHOU ESUNTECH CO LTD
 IS PROHIBITED.
 ©2003,Project Changzhou Esuntech Co Ltd




REVISION HISTORY			
LTR	DESCRIPTION	DATE	APPROVED
-	RELEASED FROM ENGINEERING	9/23/2003	Y M
A			
B			
C			



directivity



NOTES:
 1.ALL DIMENSIONS ARE IN MILLIMETERS
 2.SPECIFICATIONS SUBJECT TO CHANGE

SIZE	Designed by	Date	Checked by	Date	Approved by	Date	Drawed date
	A4	 Changzhou Esuntech Co.,Ltd http://www.esuntech.com.cn			EUS10T-4FS-WA		
	Ultrasonic Sensor				Edition		