

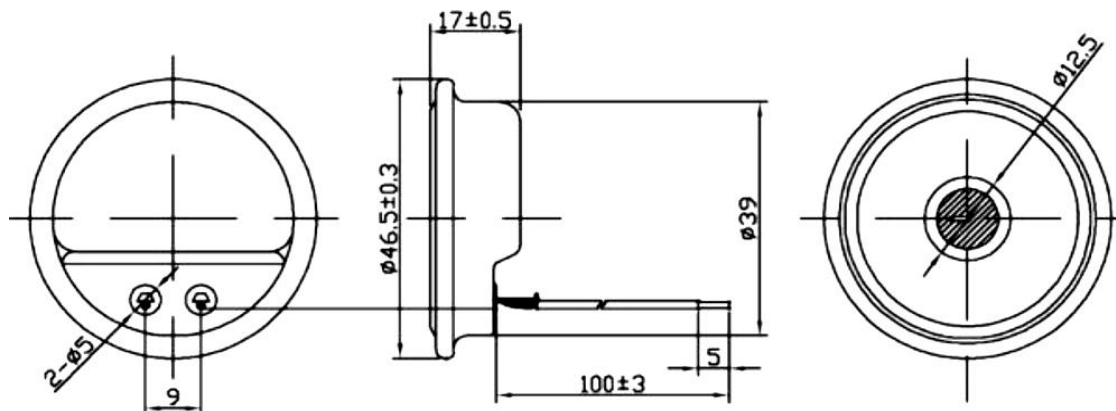
SPECIFICATION		
1	Model No.	ERV4617-R
2	Rated Voltage	24Vp-p
3	Operating Voltage range	1~30 Vp-p
4	Coil Resistance	23Ω±10%
5	AC Impedance at 1kHz	125Ω±25%
6	SPL at 1m	≥105dB
7	Sensitivity at 1kHz 60mV	118±3dB (IEC318)
8	Frequency range	300~3400Hz
9	Current	30mA
10	Operating Temperature	-40~+85℃
11	Storage Temperature	-50~+95℃
12	Housing Material	Aluminum
13	Terminal Material	Sn Plated Copper
14	Weight	34g

f=1KHz,S.P.L=1μBar,VS=4.5-3.0V,Distortion<1%



THIS DOCUMENT CONTAINS DATE
 PROPRIETARY TO PROJECTS CHANGZHOU ESUNTECH
 CO LTD. ANY USE OR REPRODUCTION,IN ANY FORM,
 WITHOUT PRIOR WRITTEN PERMISSION OF
 PROJECTS CHANGZHOU ESUNTECH CO LTD
 IS PROHIBITED.
 ©2003,Project Changzhou Esuntech Co Ltd

REVISION HISTORY			
LTR	DESCRIPTION	DATE	APPROVED
-	RELEASED FROM ENGINEERING	9/23/2003	Y M
A			
B			
C			



NOTES:

- 1.ALL DIMENSIONS ARE IN MILLIMETERS
- 2.SPECIFICATIONS SUBJECT TO CHANGE WITHOUT NOTICE

UNLESS OTHERWISE SPECIFIED. DIMENSIONS ARE IN MILLIMETERS TOLERANCES ARE +/-0.5 AND ANGLES ARE +/-3°	SIZE	Designed by	Date	Checked by	Date	Approved by	Date	Drawed date
		EST		ERV4617-R				
	A4	http://www.esuntech.com.cn		C/MIC	Edition			