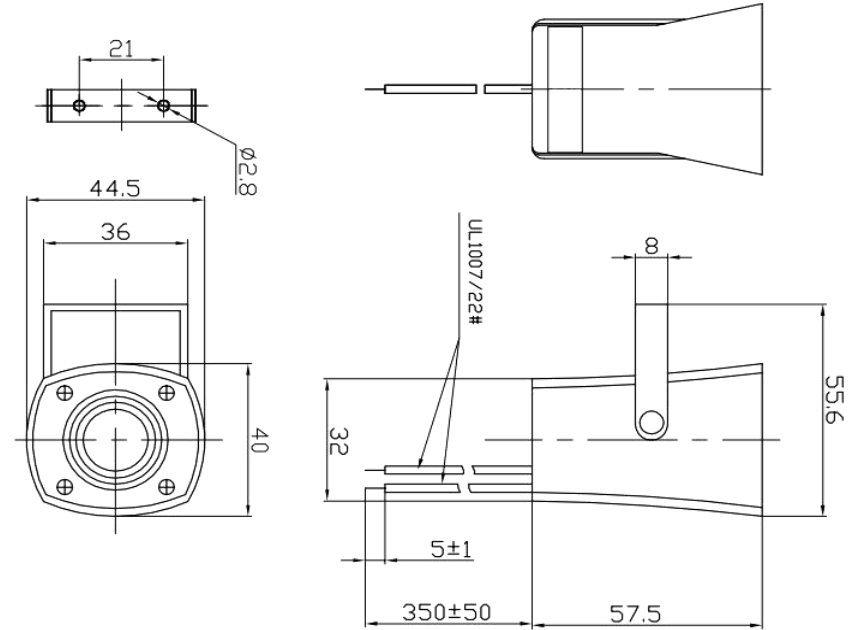


SPECIFICATION		
1	Model No.	EPS-07-12VDC
2	Rated Voltage:	12VDV
3	Operating Voltage:	8~15VDC
4	Rated Current :	≤200mA/12VDC
5	Sound Output :	100dB/12VDC/100cm
6	Tone:	Siren
7	Operating Temperature:	-20~+60°C
8	Storage Temperature:	-30~+70°C
9	Weight:	
10	Housing Material :	ABS
11	RoHS:	Yes


THIS DOCUMENT CONTAINS DATE
 PROPRIETARY TO PROJECTS CHANGZHOU ESUNTECH
 CO LTD. ANY USE OR REPRODUCTION, IN ANY FORM,
 WITHOUT PRIOR WRITTEN PERMISSION OF
 PROJECTS CHANGZHOU ESUNTECH CO LTD
 IS PROHIBITED.
 ©2003, Project Changzhou Esuntech Co Ltd

REVISION HISTORY			
LTR	DESCRIPTION	DATE	APPROVED
-	RELEASED FROM ENGINEERING	9/23/2005	Y M
A			
B			
C			



Package: 35*31.5*38cm/100pcs/12kg/11.4kg

NOTES:
 1. ALL DIMENSIONS ARE IN MILLIMETERS
 2. SPECIFICATIONS SUBJECT TO CHANGE WITHOUT NOTICE

UNLESS OTHERWISE SPECIFIED. DIMENSIONS ARE IN MILLIMETERS TOLERANCES ARE +/-0.5 AND ANGLES ARE +/-3°	SIZE	Designed by	Date	Checked by	Date	Approved by	Date	Drawn date
		A4						
EPS-07-12VDC		Changzhou Esuntech Co., Ltd http://www.esuntech.com.cn				EPS-07-12VDC		Siren
								Edition
								Sheet