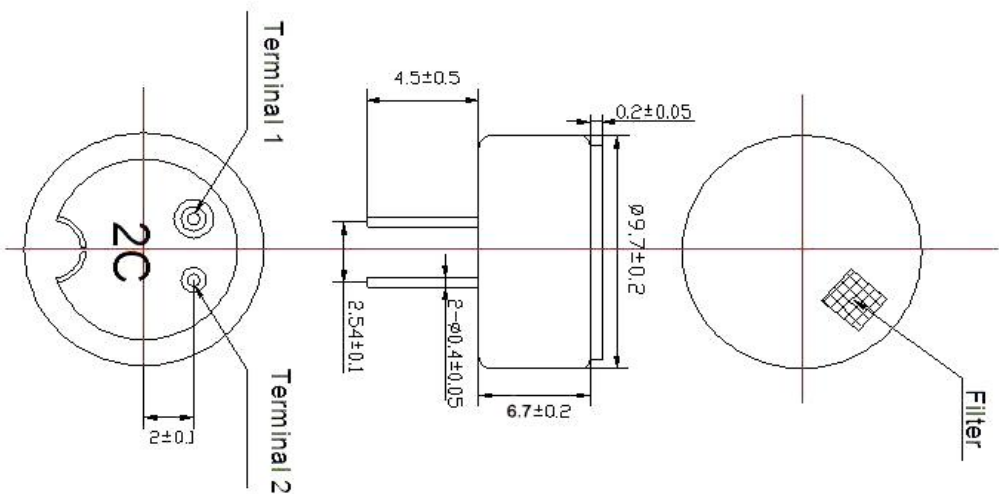
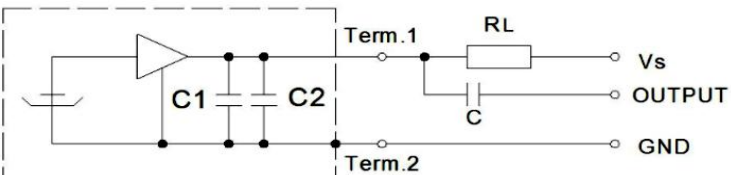
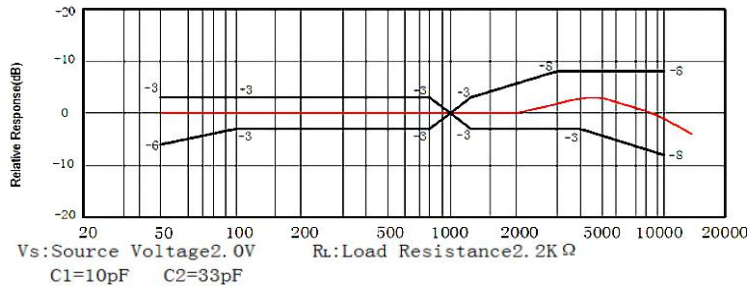


SPECIFICATION							
1	Model No.		EMC9767P-2C				
2	ITEM	Symbol	Test Conditions	Min	Standard	Max	Unit
3	Sensitivity	S	f=1KHz,	-58	-55	-52	dB
4			S.P.L=1Pa				
5	Impedance	Z	f=1KHz,			2.2	KΩ
6			S.P.L=1Pa				
7	Directivity	Omni-directional					
8	Current Consumption	I				500	μA
9	Operation Voltage Range	VS		1	2	10	V
10	S/N Ratio	S/N(A)	f=1KHz, S.P.L=1Pa	55			dB
11			A Curve				
12	Decreasing Voltage Characteristic	ΔS	f=1KHz, S.P.L=1Pa			-3	dB
13			VS=4.5-3.0V				
14	Max.Input Sound Level	MISPL	f=1KHz,			115	dB
15			Distortion≤3%				


REVISION HISTORY			
LTR	DESCRIPTION	DATE	APPROVED
-	RELEASED FROM ENGINEERING	9/23/2003	Y M
A			
B			
C			



f=1KHz,S.P.L=1μBar,VS=4.5-3.0V,Distortion<1%



NOTES:
 1.ALL DIMENSIONS ARE IN MILLIMETERS
 2.SPECIFICATIONS SUBJECT TO CHANGE WITHOUT NOTICE

UNLESS OTHERWISE SPECIFIED. DIMENSIONS ARE IN MILIMETERS TOLERANCES ARE +/-0.5 AND ANGLES ARE +/-3°	SIZE	Designed by	Date	Checked by	Date	Approved by	Date	Drawed date	
									
	A4								