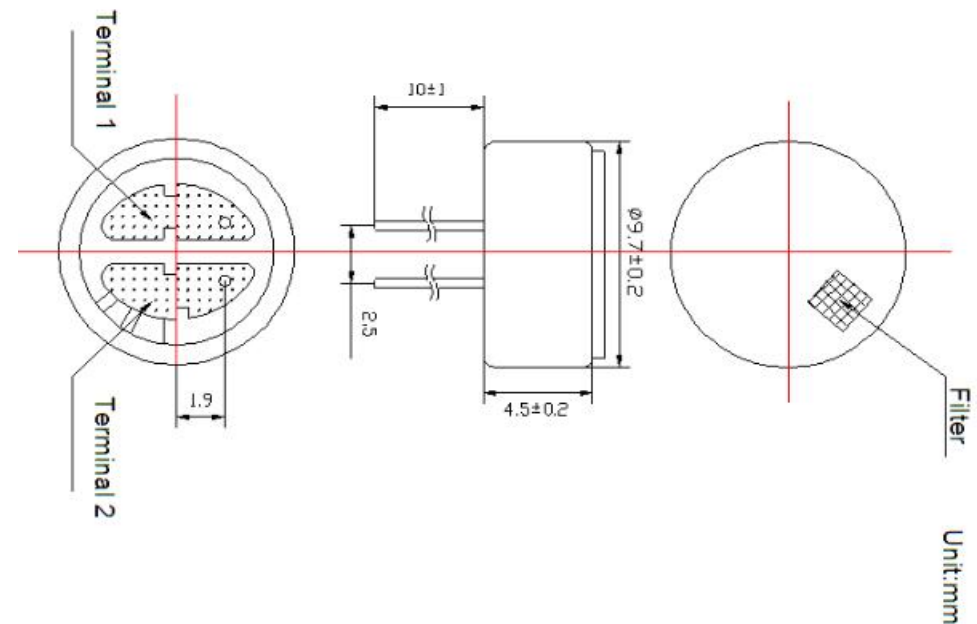
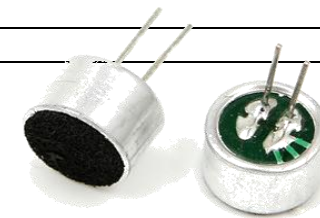
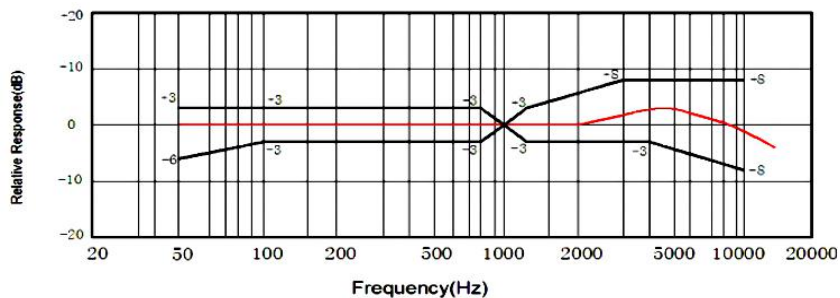


SPECIFICATION							
1	Model No.	EMC9745P					
2	ITEM	Symbol	Test Conditions	Min	Standar	Max	Unit
3	Sensitivity	S	f=1KHz,	-40	-38	-36	dB
4			S.P.L=1μBar				
5	Impedance	Z	f=1KHz,			2.2	KΩ
6			S.P.L=1μBar				
7	Directivity	Omni-directional					
8	Current Consumption	I				500	μA
9	Operation Voltage Range	VS		1	2	10	V
10	S/N Ratio	S/N(A)	f=1KHz,S.P.L=1Pa	55			dB
11			A Curve				
12	Decreasing Voltage Characteristic	ΔS	f=1KHz,S.P.L=1Pa			-3	dB
13			VS=4.5-3.0V				
14	Max.Input Sound Level	MISPL	f=1KHz,			115	dB
15			Distortion≤3%				

REVISION HISTORY			
LTR	DESCRIPTION	DATE	APPROVED
-	RELEASED FROM ENGINEERING	9/23/2003	Y M
A			
B			
C			




f=1KHz,S.P.L=1μBar,VS=4.5-3.0V,Distortion<1%



NOTES:

- 1.ALL DIMENSIONS ARE IN MILLIMETERS
- 2.SPECIFICATIONS SUBJECT TO CHANGE WITHOUT NOTICE

UNLESS OTHERWISE SPECIFIED, DIMENSIONS ARE IN MILLIMETERS TOLERANCES ARE +/-0.5 AND ANGLES ARE +/-3°	SIZE	Designed by	Date	Checked by	Date	Approved by	Date	Drawed date
								
	A4							
	EMC9745P	http://www.esuntech.com.cn		C/MIC	Edition		1 / 1	