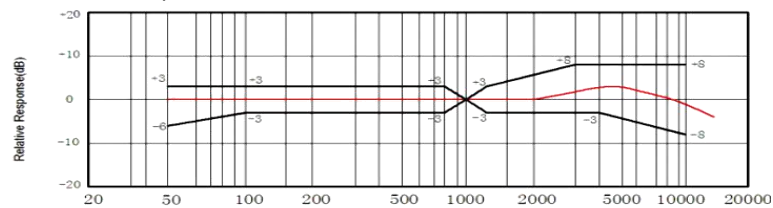


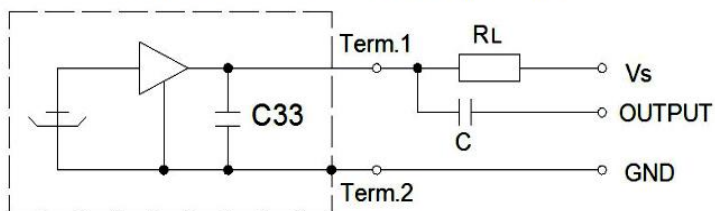
SPECIFICATION

1	Model No.	EMC9745-C					
2	ITEM	Symbol	Test Conditions	Min	Standard	Max	Unit
3	Sensitivity	S	f=1KHz,	-58	-55	-52	dB
4			S.P.L=1Pa				
5	Impedance	Z	f=1KHz,			2.2	KΩ
6			S.P.L=1Pa				
7	Directivity	Omni-directional					
8	Current Consumption	I				500	μA
9	Operation Voltage Range	VS		1	2	10	V
10	S/N Ratio	S/N(A)	f=1KHz,	55			dB
11			S.P.L=1Pa				
12			A Curve				
13	Decreasing Voltage Characteristic	ΔS	f=1KHz,			-3	dB
14			S.P.L=1Pa				
15			VS=4.5-3.0V				
16	Max.Input Sound Level	MISPL	f=1KHz,			115	dB
17			Distortion≤3%				

f=1KHz,S.P.L=1μBar,VS=4.5-3.0V,Distortion<1%



Vs:Source Voltage 2.0 V RL:Load Resistance 2.2KΩ

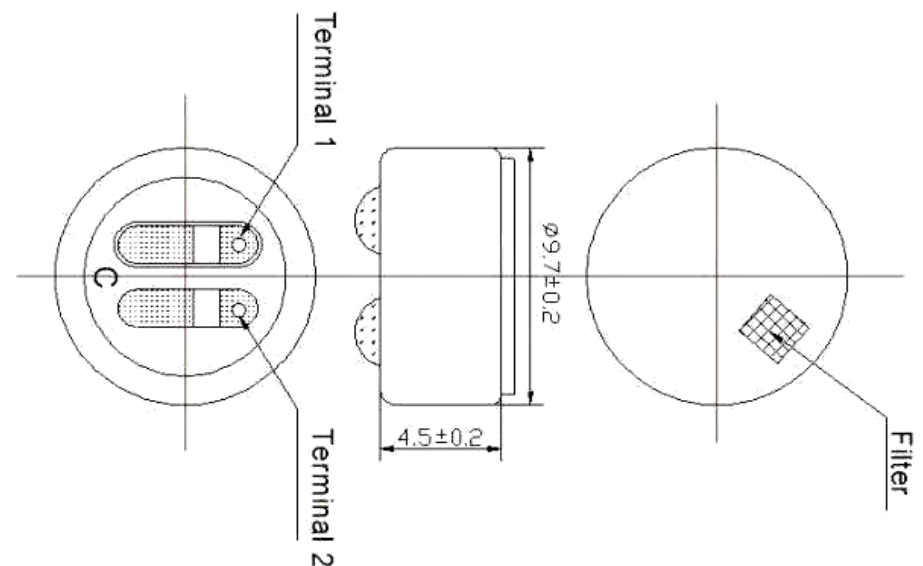


NOTES:

- ALL DIMENSIONS ARE IN MILLIMETERS
- SPECIFICATIONS SUBJECT TO CHANGE WITHOUT NOTICE

REVISION HISTORY

LTR	DESCRIPTION	DATE	APPROVED
-	RELEASED FROM ENGINEERING	9/23/2003	Y M
A			
B			
C			



UNLESS OTHERWISE SPECIFIED, DIMENSIONS ARE IN MILLIMETERS TOLERANCES ARE +/-0.5 AND ANGLES ARE +/-3°	SIZE	Designed by	Date	Checked by	Date	Approved by	Date	Drawed date
	A4			EMC9745-C				
	EMC9745-C							